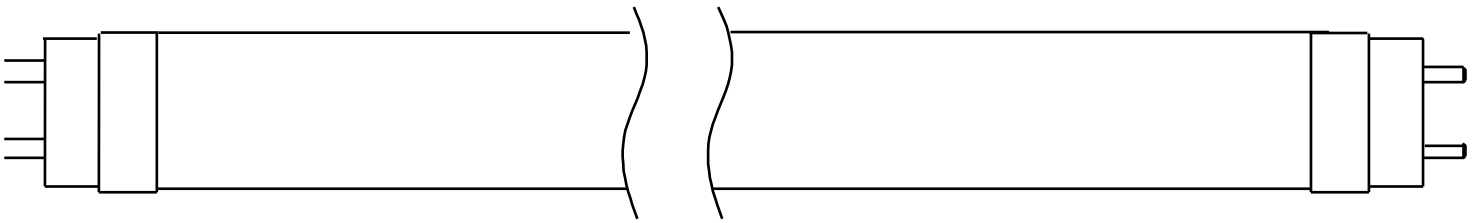


HYUNDAI

L I G H T I N G



T8 Tube

9W

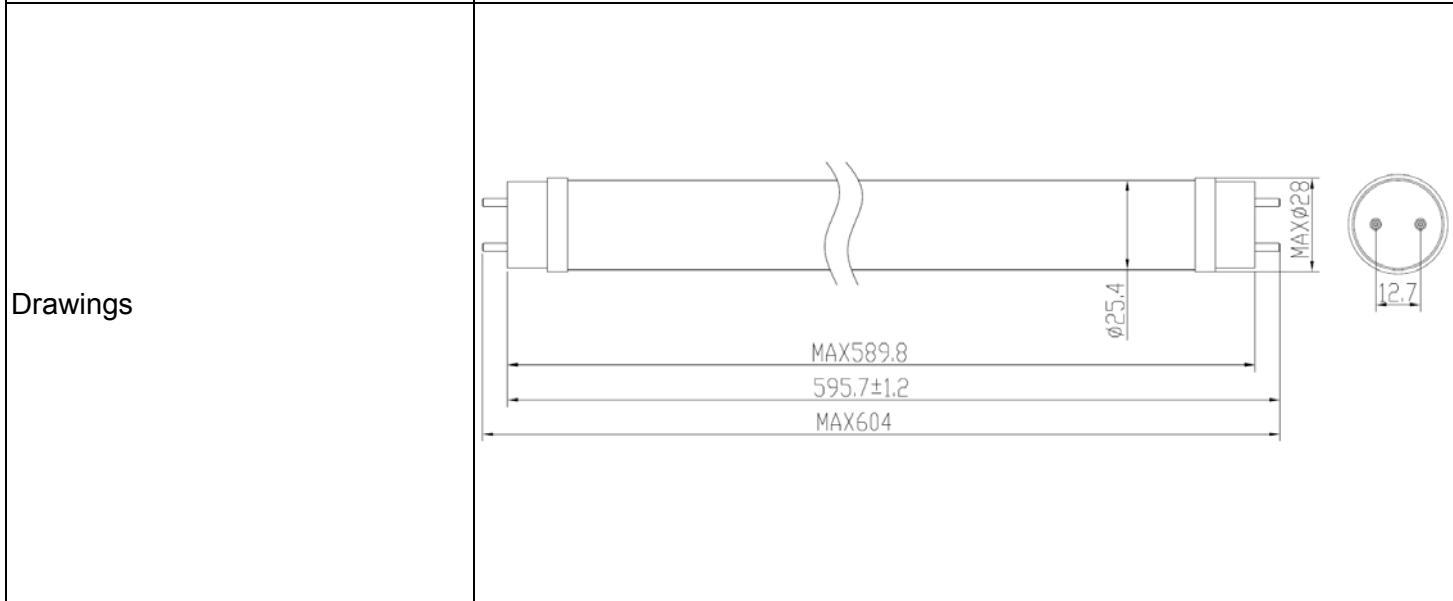
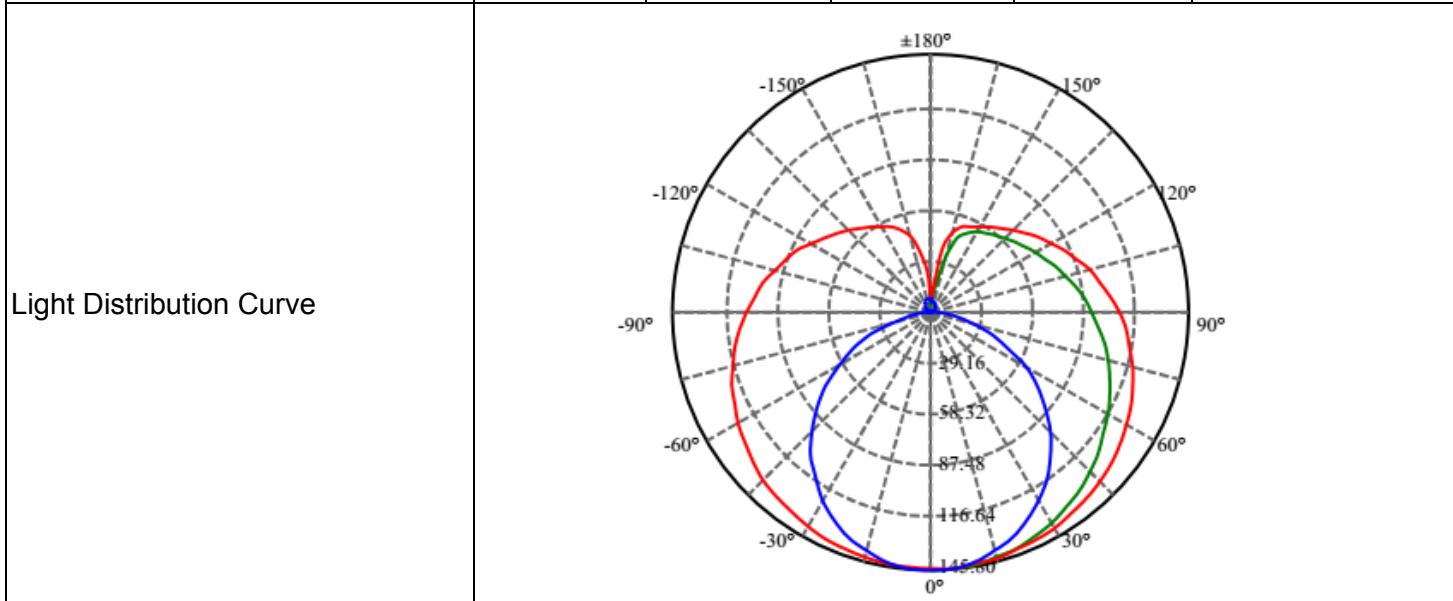
6500K

Technical Datasheet

Product Description	HTUB-9/6.5K			ID	
A、 Appearance Description					
	Component No.	Component Name	Material Technics	Color Effect	Remark
	1	Cap	Aluminum	Black & Silver	
	2	Tube body	Glass	White	
B、 Structure					
Parameter	Units	Min	Rating	Max	Remark
Weight	g	85.5	95	104.5	
Surface Treatment	-	glue			
Driver	-	non isolated driver			
External Wire Diameter, Insulation Material And Temperature	-				
Ingress Protection Grade	-	IP20			
Installation Method	-				
C Product Certificate					
Standards	<input type="checkbox"/> IEC60598 Series <input type="checkbox"/> IEC61347 Series <input type="checkbox"/> IEC62031 Series <input checked="" type="checkbox"/> IEC62471 <input checked="" type="checkbox"/> IEC61000-3-2/3		<input type="checkbox"/> UL1598 <input type="checkbox"/> UL1310 <input checked="" type="checkbox"/> SASO <input type="checkbox"/> CISPR15 <input type="checkbox"/> IEC61547		<input type="checkbox"/> GB7000 Series <input type="checkbox"/> GB19510 <input checked="" type="checkbox"/> EN55015 <input checked="" type="checkbox"/> ROHS <input checked="" type="checkbox"/> EN62776

D、Electronic Data					
Parameter	Units	Min	Rating	Max	Remark
Supply Voltage	V	100	220	240	
Supply Frequency	Hz		50/60Hz		
Supply Current	mA	39.6	44	48.4	
Power Consumption	W	8.1	9	9.9	
Power Factor	-	0.9			
THD			13	20	220V
Flickering			50	85	
LED Driver Current	mA	109.8	122	134.2	
LED Driver Voltage	V		68		
LED Driver Efficiency			92		
Luminous Flux	lm	810	900		Aging 1 hour
Max Luminous Intensity	cd		145		
Beam Angle	°	198	220		
Luminous Efficiency	Lm/W	90	100		
SDCM	-			6	ANSI
CRI	-	80			
Dominant Wavelength	nm		490		
Light Radiation Grade			RG0		
Chromaticity Coordinate		□ CIE	■ ANSI	□ JIS	
CCT	K	6022	6500	7040	ANSI
Lumen Maintenance			70		
Dimmable					NO
Lifetime	H		20000		25°C 100-240V L70 F50
Number of Switching Cycles	Times		10000		
Starting Time	s			0.5	
Ability Test	-				
High-low Temperature Cycle Test	-	PASS			

High Temperature and Humidity Test	-	PASS			
Work Temperature	°C	-20	25	45	
Storage Temperature	°C	-20	25	70	



E、 Light Source Data					
LED Model	-	2835			
LED Vendor	-	Nationstar			
LM Report	-	LM80			