

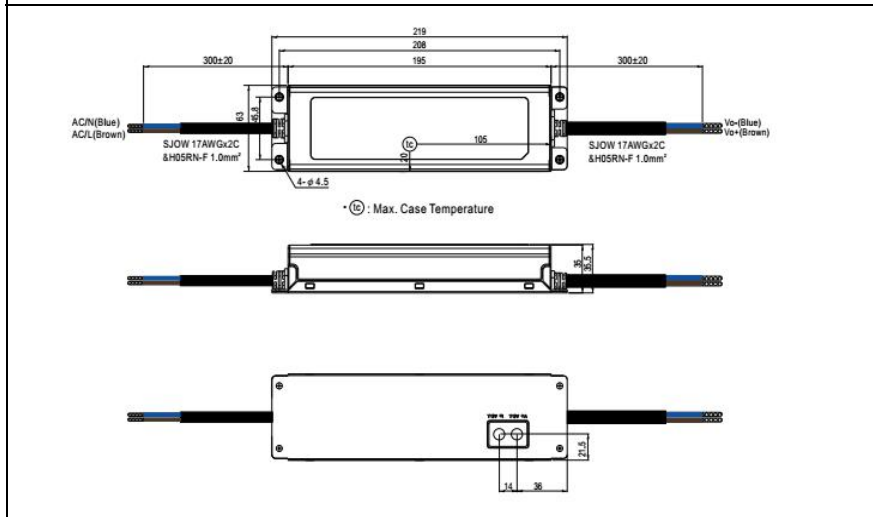


Features :

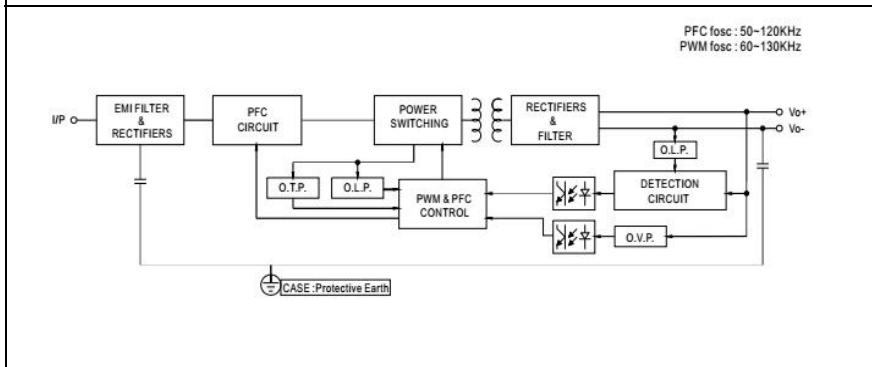
1. Constant Voltage + Constant Current mode output
2. Metal housing design with functional ground
3. Built-in active PFC function
4. Output adjustable through built-in potentiometer
5. No-load/Standby power consumption <0.5W
6. IP65 rating for indoor or outdoor installations
7. Typical lifetime >50000 hours
8. 5 years warranty

Model No.		HLD-150W
Output	DC Voltage	12V
	Constant Current Region	6~12V
	Rated Current	10A
	Rated Power	150W
	Voltage ADJ. Range	10.8~13.2V
	Current ADJ. Range	5-10A
Input	Voltage Range	100~305VAC 142~431VDC
	Frequency Range	47-63Hz
	Efficiency	88%
	AC Current	1.7A/115VAC 0.9A/230VAC 0.7A/277VAC
	Leakage Current	<0.75mA/277VAC
Protection	Over Current	95-108% Constant current limiting, recovers automatically after fault condition is removed
	Short Circuit	Hiccup mode, recovers automatically after fault condition is removed
	Over Voltage	14-18V Shut down output voltage, re-power on to recover
	Over Temperature	Shut down output voltage, re-power on to recover
Environment	Working Temp.	Tcase= -40°C ~ +90°C
	MAX. Case Temp.	Tcase= +90°C
	Working Humidity	20~95% RH non-condensing
	Storage Temp., Humidity	-40°C ~ +80°C, 10-95%RH
	Temperature Coefficient	±0.03%/°C (0-60°C)
Others	Vibration	10~500Hz, 5G 12min./1cycle, period for 72min. each along X,Y,Z axes
	Dimesnsion	219*63*35.5mm(L*W*H)
	Weight	0.95Kg

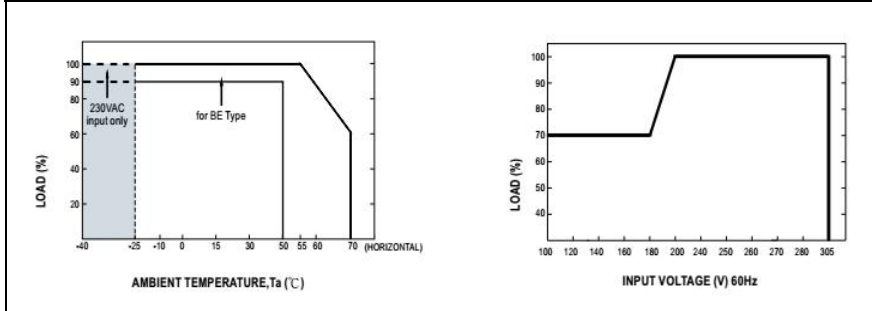
Outter Size(mm) :



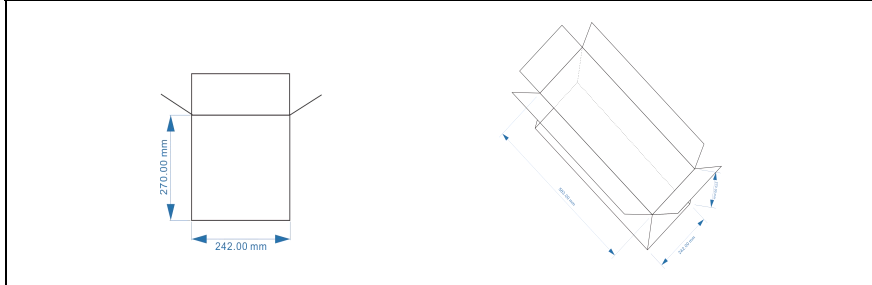
Block Diagram :



Graph :



Packaging Specification(mm) :



1. Carton size : 583*242*270 mm ;
2. Total: 30pcs/CTN
3. N.W.: 28Kg (1±10%)

Warmly Reminder

1. Try to avoid the minefields, high-pressure area to install;
2. Ensure that the correct connection, in order to avoid short-circuit damage to components and trigger fires;
3. Connect the power supply is installed in a well ventilated place to ensure appropriate environmental temperature;
4. Prohibit live wiring, check to confirm wiring is correct, check the no short-circuit, then power;
5. If any problem occurs, do not make unauthorized repairing. If you have questions, please contact the supplier.