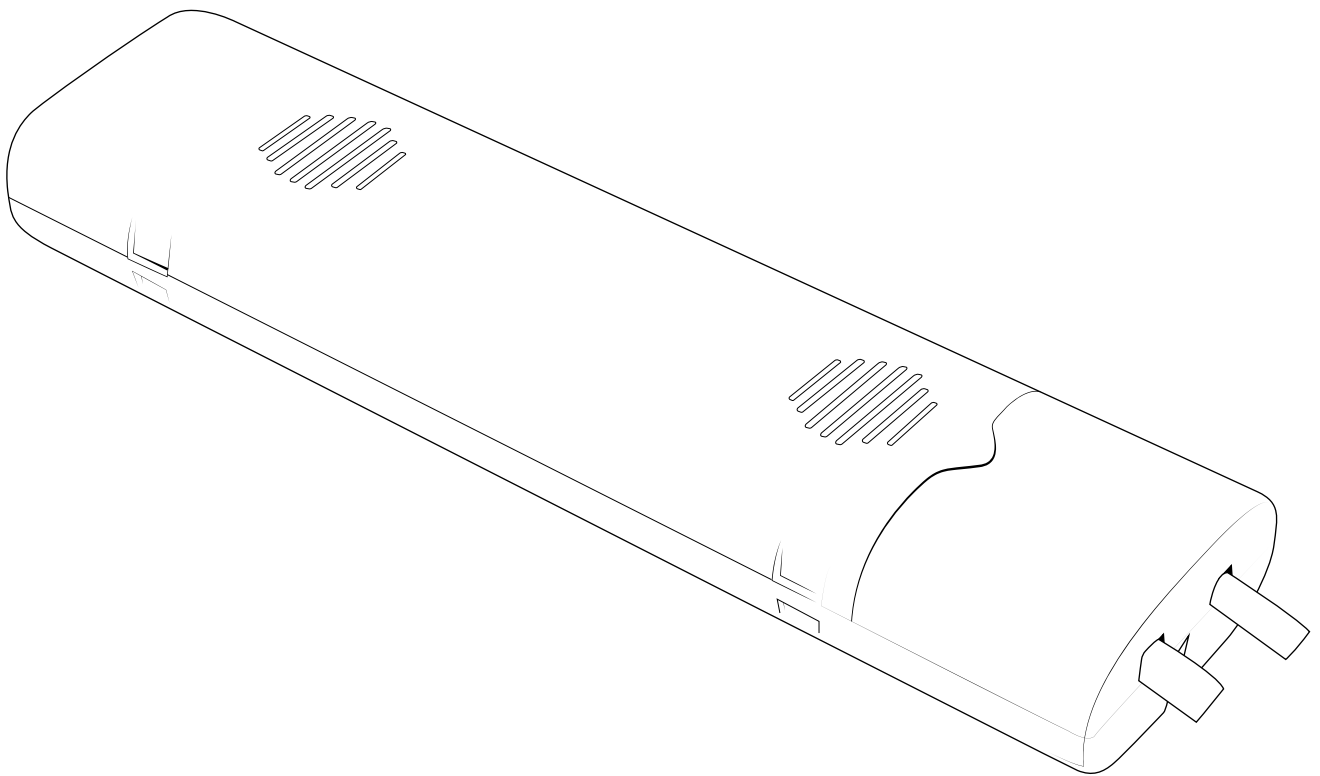


Emergency Pack

Technical Datasheet



EMERGENCY PACK



White

A STRUCTURE

<u>Parameter</u>	<u>Units</u>	<u>Min</u>	<u>Rating</u>	<u>Max</u>	<u>Remark</u>
Installation Method	-		Free		
Product Weight	kg		0.48		
Indicator	-		Green		

B PRODUCT CERTIFICATION

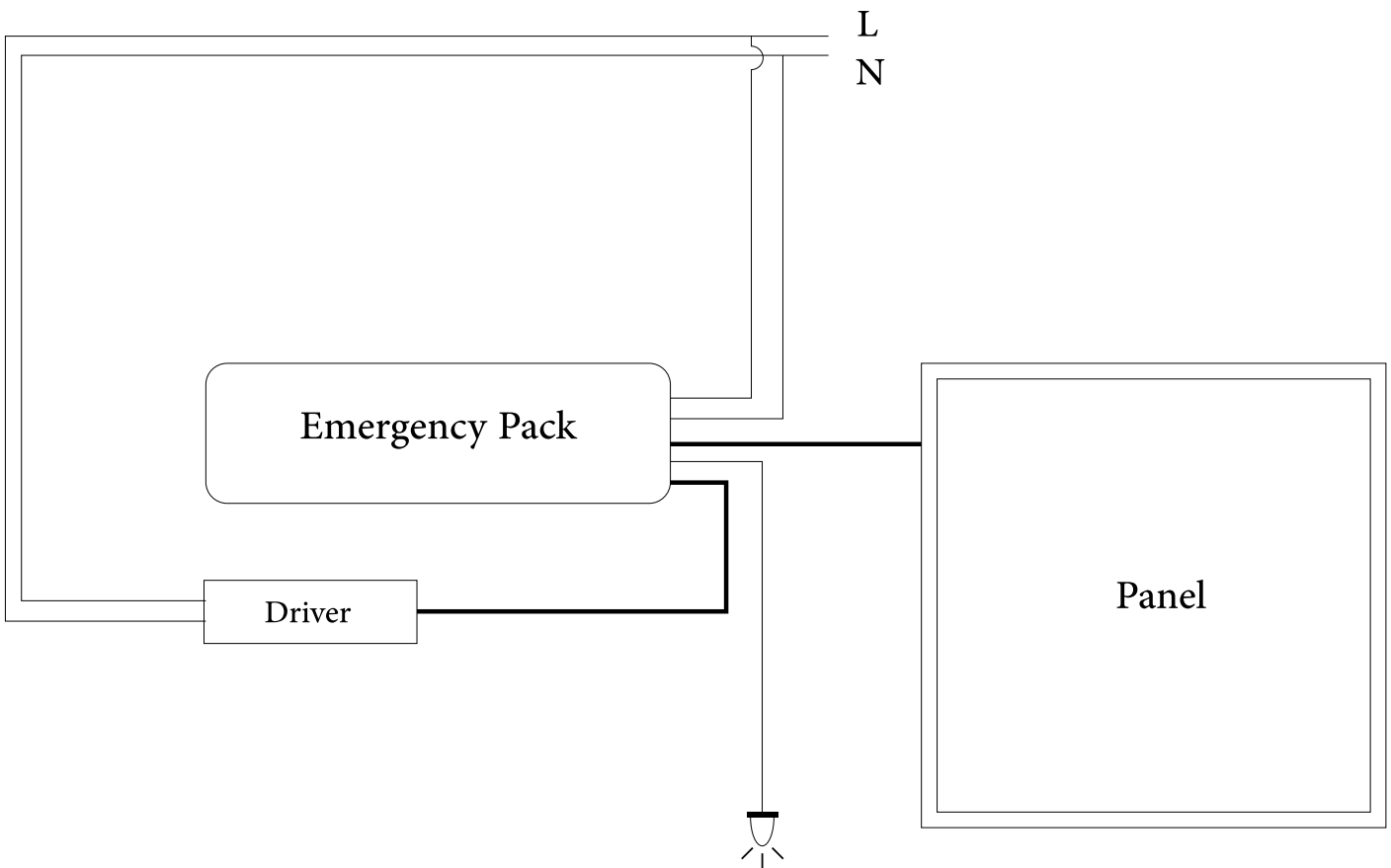
<input checked="" type="checkbox"/> IEC 60598 SERIES	<input type="checkbox"/> UL1598	<input type="checkbox"/> GB7000 SERIES
<input type="checkbox"/> IEC 61347 SERIES	<input type="checkbox"/> UL1310	<input type="checkbox"/> GB/T20145
<input type="checkbox"/> IEC62031 SERIES	<input type="checkbox"/> FCC 47 PART 15	<input type="checkbox"/> GB19510
<input type="checkbox"/> IEC 62471	<input type="checkbox"/> CISPR15	<input type="checkbox"/> ROHS
<input type="checkbox"/> IEC 61000- 3- 2/ 3	<input type="checkbox"/> IEC 61547	<input checked="" type="checkbox"/> CE



ELECTRIC DATA

<u>Parameter</u>	<u>Units</u>	<u>Min</u>	<u>Rating</u>	<u>Max</u>	<u>Remark</u>
Supply Voltage	V	220	230	240	
Supply Frequency	Hz		50/60		
Supply Current	mA		0.012-0.030		
Power Consumption	W		2.8		
Discharging current	mA		640-1000 mAh		
Charge Current	mA		170-280		
Discharging duration	Hour		3		
Battery Voltage	V		4.8		
Battery Capacity	mAh		3000		
Operation Temperature	°C	-20		50	
Storage Temperature	°C	-20		45	
Power Factor		>0.5			
Support wattage Limit				50W	
Lead Voltage Limit	24			48V	
Light - Output (emergency)	7%			10%	
Protection					Overcharge and over Discharge
warranty					3 years

D CONNECTION DIAGRAM



E ELECTRONIC DATA

<u>Parameter</u>	<u>Units</u>	<u>Rating/Working Condition</u>	<u>Remark</u>
Lifetime	hrs	30000	
Starting Time	s	1	
Ability Test	-	PASS	
High-low Temperature Cycle Test	-	PASS	
High Temperature and Humidity Test	-	PASS	

HYUNDAI
LIGHTING

Emergency Pack
Technical Datasheet